



**minipack®**  
THE ORIGINAL PIONEER

# FM77A EVO-A

**AUTOMATIC HEAT SHRINK MACHINE - SEALING BAR 840X590 MM - DEDICATED ELECTRONIC CARD - DOUBLE DISPLAY**



## DESCRIPTION

The historic FM77A is renewed by combining reliability and ease of use. With a dedicated electronic interface card and an electro-mechanical panel we guarantee reliability, safety, speed and availability of spare parts.

## TECHNICAL FEATURES

200V 50/60Hz 3Ph

**minipack®-torre S.p.A.**

Sede legale - Via Provinciale, 54 - 24044 DALMINE (BG) Italy

P.IVA - C.F.: 01633550163 - Capitale sociale 619.200,00 i.v. - Reg. Imprese di Bergamo 01633550163 - REA n. 224151

Electrical power supply	208V 60Hz 3Ph 230V 50Hz 3Ph 400V 50Hz 3Ph
Maximum power installed	6,0 kW (200V) 7,9 kW (208V) 7,5 kW (230/400V)
Maximum current	20 A (200V) 24 A (208V) 21 A (230V) 12 A (400V)
Hourly production	0-400
Useful dimensions of sealing bars	840x590 mm
Maximum reel dimensions (Ø x length)	Ø300x800 mm
Maximum product dimensions	800x500x200 mm
Work surface height	940 mm
Machine dimensions (open hood)	3120x1000x1480 mm
Machine dimensions (closed hood)	3120x1000x1180 mm
Machine weight (net / gross)	286/338 kg
Machine color	RAL2004 peeled
Packaging flat color	RAL7016 peeled

minipack®-torre shall not be held liable for typos or printing errors in this catalogue. It also reserves the right to make changes to the specified features without prior notice. All trademarks are property of their respective owners and are hereby acknowledged.

## TECHNICAL DRAWING



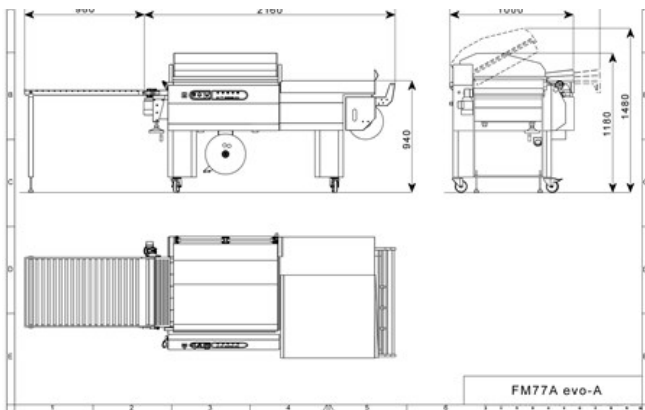
**minipack®-torre S.p.A.**

Sede legale - Via Provinciale, 54 - 24044 DALMINE (BG) Italy

P.IVA - C.F.: 01633550163 - Capitale sociale 619.200,00 i.v. - Reg. Imprese di Bergamo 01633550163 - REA n. 224151



**minipack®**  
THE ORIGINAL PIONEER



## TECHNICAL FEATURES:

- Option of having an 'Automatic' work cycle (press the start button cycles performed in sequence, interrupted by the programmed pause interval) and a 'Manual' work cycle (press the start button to perform one packaging cycle)
- Automatic lid opening, product ejection
- Frontal control interface: intuitive programming
- Standard sealing bars liquid cooling system: increased productivity and improved sealing
- Innovative upper hood fixing, easier maintenance
- Safety control on sealing blades: safer machine
- Roll support with bigger diameter (300 mm)
- Packaging plate independent from roll support: suitable for the packaging of small products with the same film roll
- Innovative micropuncher: continuous and accurate perforation
- Double display: 2 digital for programs and settings and 4-digit as piece counter
- 6 programs digital control panel easy to be used
- Counterpieces included: more complete equipment
- Power board access with frontal door
- Higher screened plate: more protection of the heating elements
- More powerful fan motor: superior shrinking performance
- Extra safety thermostat on the heating elements: safer machine
- New rubber support without glue
- Hood safety system: Greater safety for the operator

**minipack®-torre S.p.A.**

Sede legale - Via Provinciale, 54 - 24044 DALMINE (BG) Italy

P.IVA - C.F.: 01633550163 - Capitale sociale 619.200,00 i.v. - Reg. Imprese di Bergamo 01633550163 - REA n. 224151